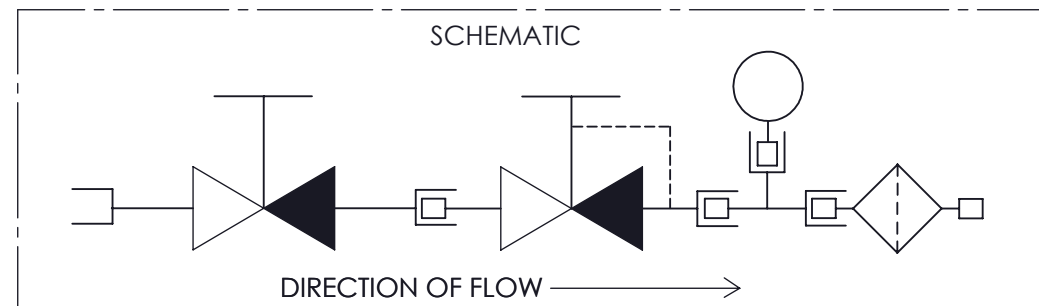
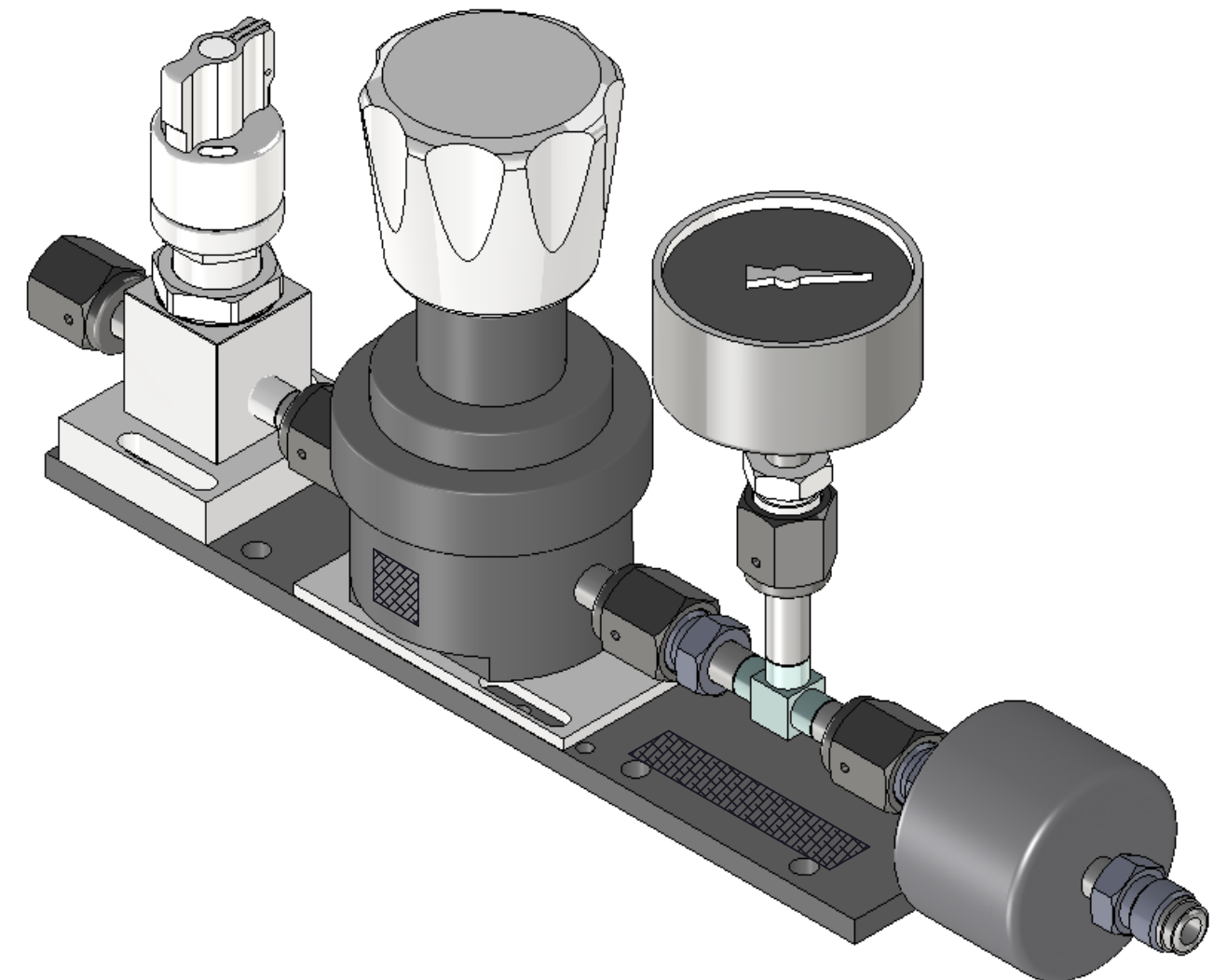
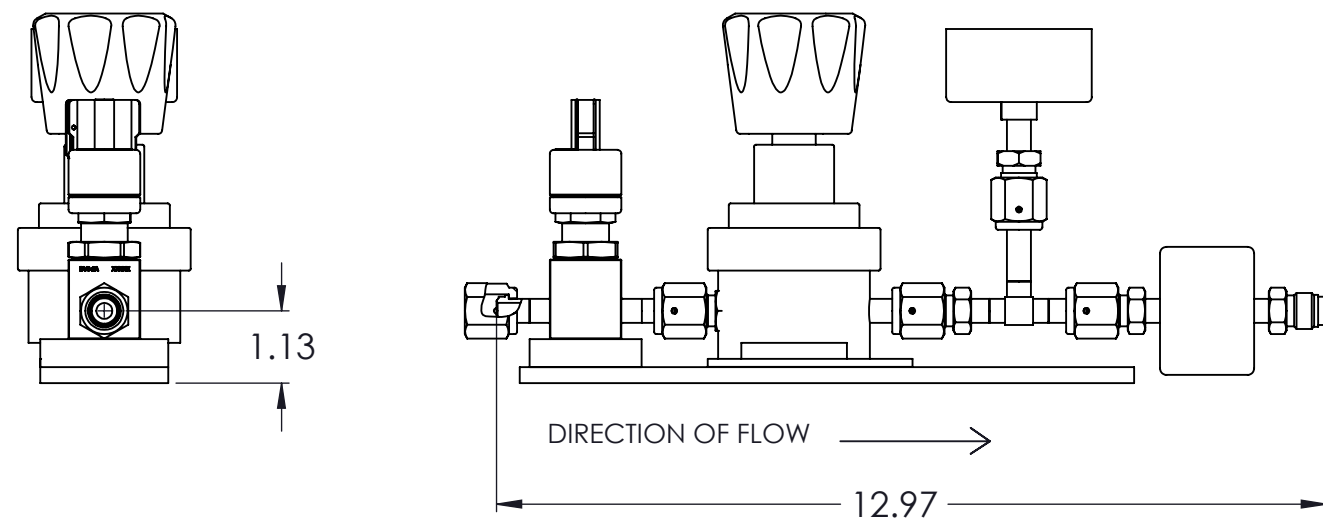


REVISIONS				
ZONE	REV.	DESCRIPTION	DATE	APPROVED
--	A	INITIAL RELEASE	02/10/2011	M.S.



NEXT ASSY	APPROVALS	DATE	INTERPRET DIMENSIONS AND TOLERANCES PER ASME Y14.5M 1994 STANDARDS.	 SilPac® SANTA CLARA, CALIFORNIA
	DRAWN M.SEROTTA	02/10/2011	UNLESS OTHERWISE SPECIFIED ALL DIMENSIONS ARE IN INCHES.	
	CHECKED ---	---	TOLERANCES .XX ±.01 .XXX ±.005 ANGLES ±.5°	SURFACES 63 ✓
	ENGINEER ---	---	THIRD ANGLE PROJECTION	
	APPROVED ---	---	MATERIAL SEE BOM	ASSY, L112 DV3, 64-5443, 1/4
			FINISH -	
THIS DOCUMENT CONTAINS CONFIDENTIAL INFORMATION OF SilPac. THIS DOCUMENT AND THE INFORMATION CONTAINED IN IT CANNOT BE COPIED OR DISCLOSED IN WHOLE OR IN PART WITHOUT THE EXPRESS WRITTEN CONSENT OF SilPac, AND MUST BE RETURNED TO SilPac UPON REQUEST.			SIZE B	DWG NO. SP-GSA-39T-MKT
			SCALE 2:1	REV A
			DO NOT SCALE DRAWING	Sheet 1 of 1