

4

3

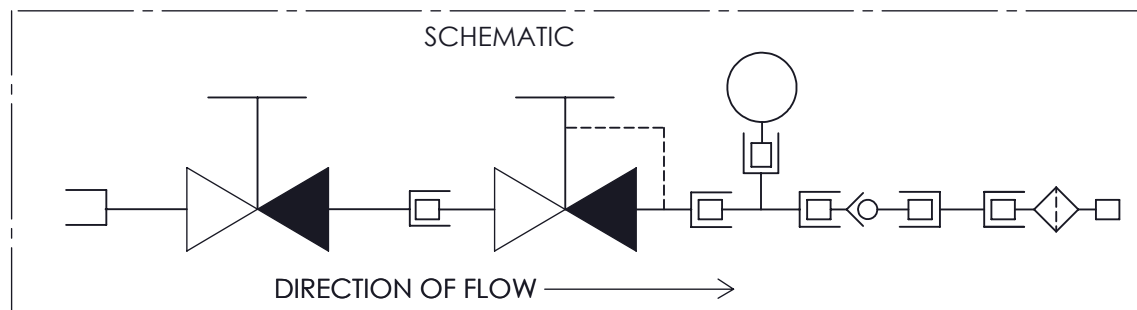
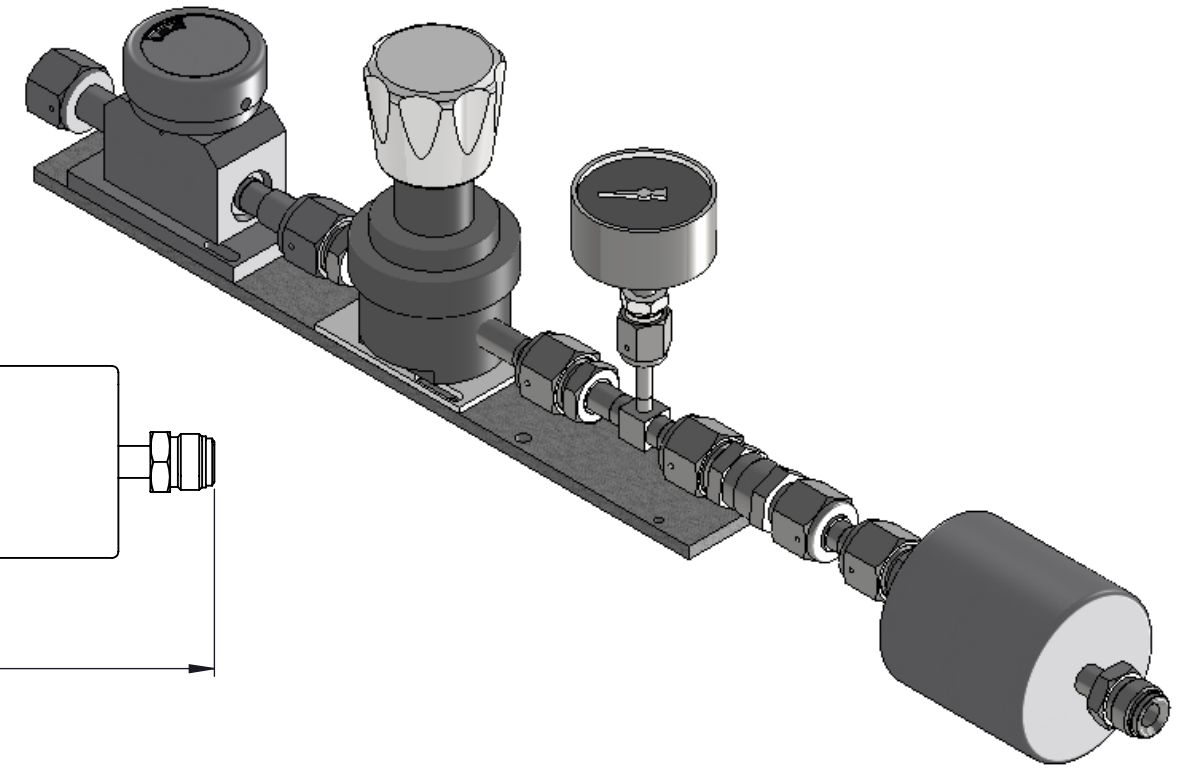
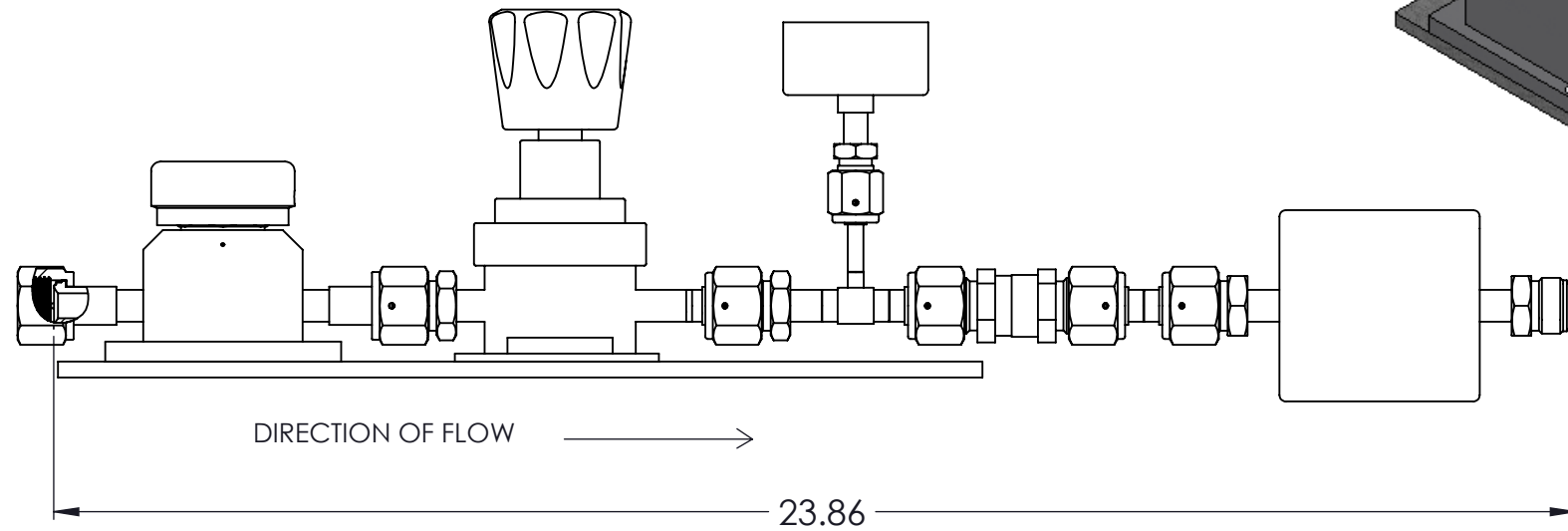
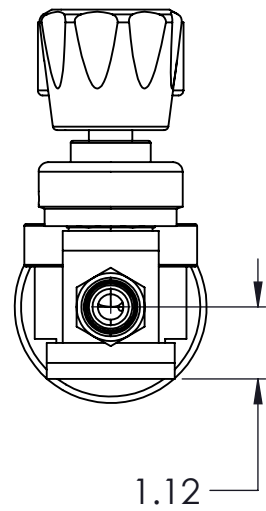
DWG NO.

SHT
1

REV
A

1

REVISIONS				
ZONE	REV.	DESCRIPTION	DATE	APPROVED
--	A	INITIAL RELEASE	03/12/2011	M.S.



NEXT ASSY	APPROVALS	DATE
	DRAWN M.SEROTTA	03/12/2011
	CHECKED ---	---
	ENGINEER ---	---
	APPROVED ---	---

INTERPRET DIMENSIONS AND TOLERANCES PER ASME Y14.5M 1994 STANDARDS.
UNLESS OTHERWISE SPECIFIED ALL DIMENSIONS ARE IN INCHES.

TOLERANCES	SURFACES
.XX ±.01	63 ✓
.XXX ±.005	
ANGLES ±.5°	

THIRD ANGLE PROJECTION

SilPac®
SANTA CLARA, CALIFORNIA

ASSY, 1/2" 3800, 64-5443

SIZE B	DWG NO. SP-GSA-132T-MKT	REV A
SCALE 2:1	DO NOT SCALE DRAWING	Sheet 1 of 1

THIS DOCUMENT CONTAINS CONFIDENTIAL INFORMATION OF SilPac. THIS DOCUMENT AND THE INFORMATION CONTAINED IN IT CANNOT BE COPIED OR DISCLOSED IN WHOLE OR IN PART WITHOUT THE EXPRESS WRITTEN CONSENT OF SilPac, AND MUST BE RETURNED TO SilPac UPON REQUEST.

MATERIAL: SEE BOM
FINISH: -

4

3

2