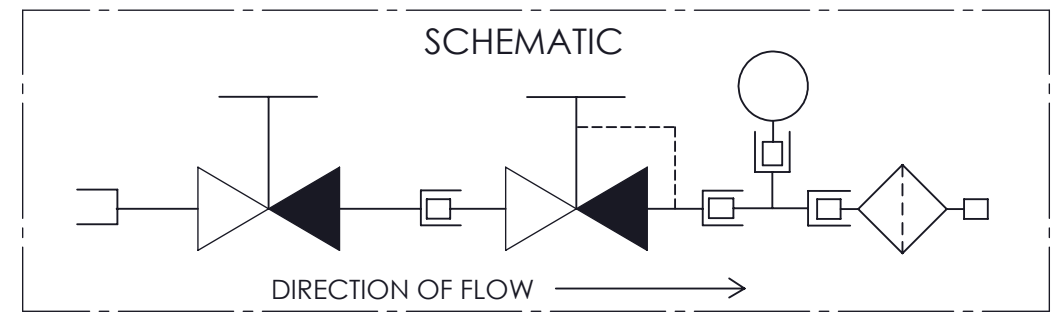
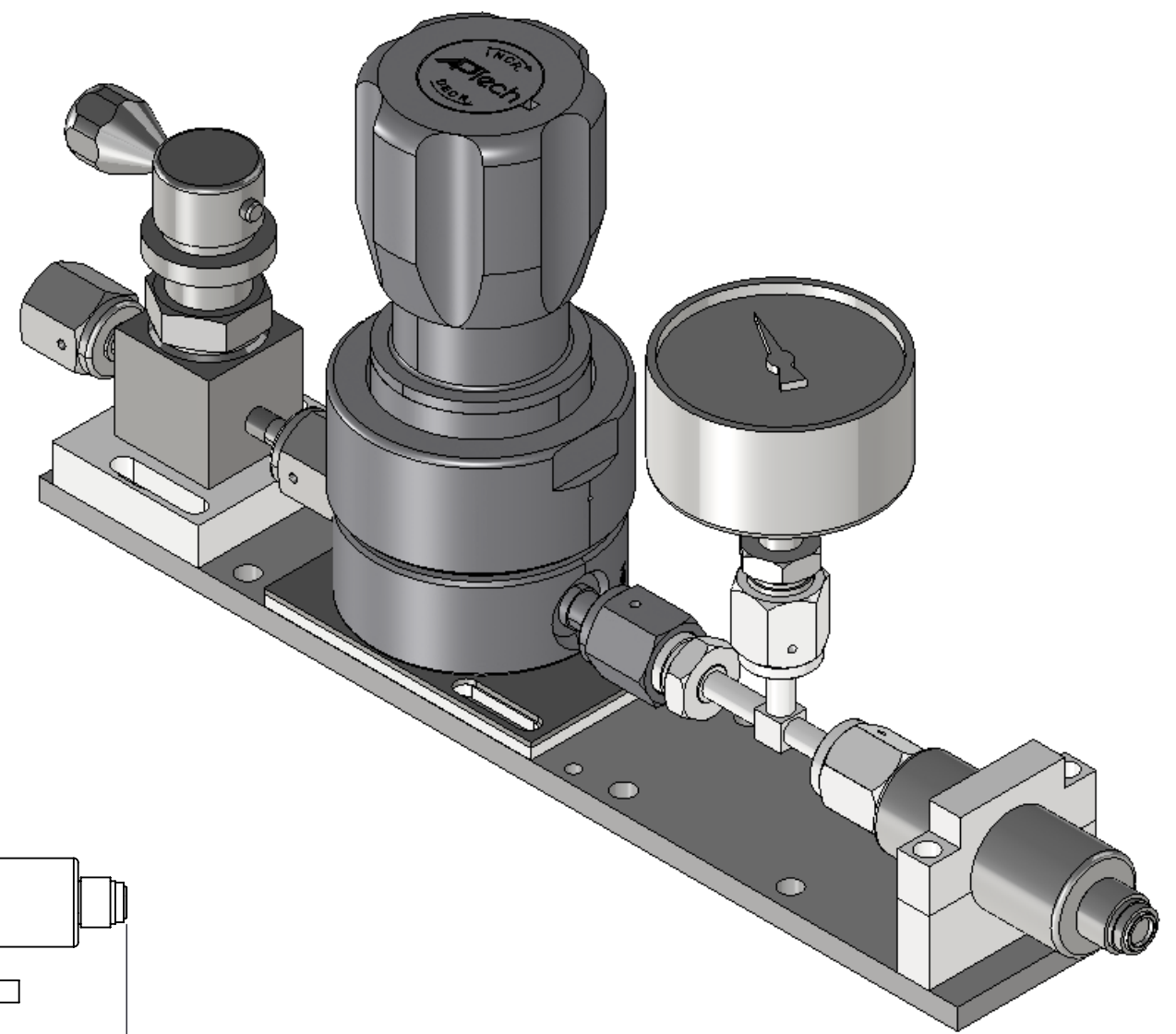
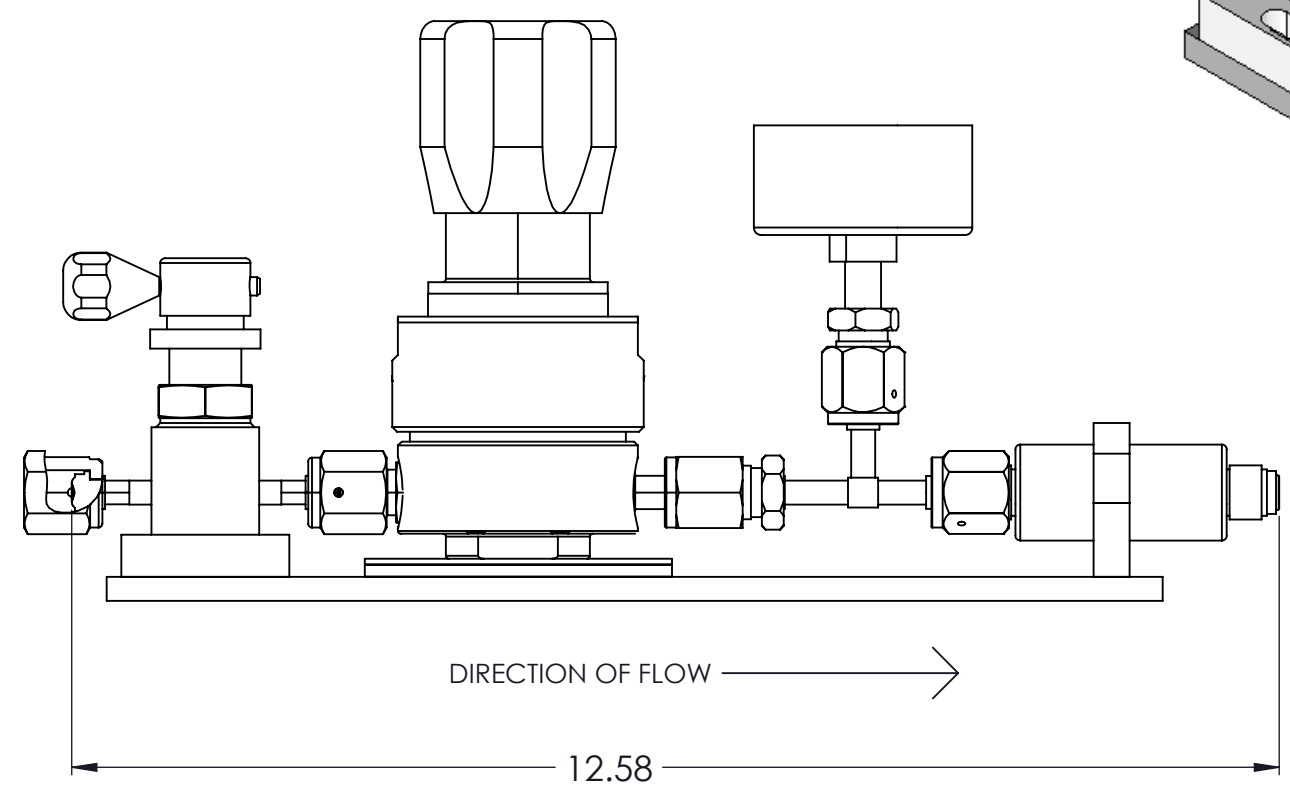


1.13



NEXT ASSY	APPROVALS	DATE	INTERPRET DIMENSIONS AND TOLERANCES PER ASME Y14.5M 1994 STANDARDS.	
	DRAWN <b>M.SEROTTA</b>	01/29/2011	UNLESS OTHERWISE SPECIFIED ALL DIMENSIONS ARE IN INCHES.	
	CHECKED ---	---	TOLERANCES .XX ±.01 .XXX ±.005 ANGLES ±.5°	SURFACES 63 ✓
	ENGINEER ---	---	THIRD ANGLE PROJECTION	
	APPROVED ---	---	MATERIAL SEE BOM	
THIS DOCUMENT CONTAINS CONFIDENTIAL INFORMATION OF SilPac. THIS DOCUMENT AND THE INFORMATION CONTAINED IN IT CANNOT BE COPIED OR DISCLOSED IN WHOLE OR IN PART WITHOUT THE EXPRESS WRITTEN CONSENT OF SilPac, AND MUST BE RETURNED TO SilPac UPON REQUEST.			FINISH -	

**SilPac**<sup>®</sup>  
SANTA CLARA, CALIFORNIA

**ASSY, 3625, 1010, T2, 30-100**

SIZE <b>B</b>	DWG NO. SP-GSA-02A-MKT	REV <b>A</b>
SCALE <b>2:1</b>	DO NOT SCALE DRAWING	Sheet <b>1</b> of <b>1</b>