

SERIES AZ 3004, 3604 & 3624 AZ 3007 & 3627

1/4 INCH DIAPHRAGM VALVE — HIGH PRESSURE
Springless – manual and pneumatic (NC)



- Operating pressures to 4,500 psig (310 bar)
- Replaceable seat
- Stainless steel 316L
- Captured seat option (OX) for high pressure oxygen service and oxidizer
- LOTO and indicating switch options
- Constant bleed option 5, 8 and 15 slpm of N₂ @ 80 psig (5.5 bar) refer to PN 430
- Surface finish 10 µin. (0.25 µm) Ra standard
- Multi-port options available (refer to page 4)
- Installation and operating instructions available at www.aptech-online.com in the Tech Briefs section

Manual valves

	PSIG / BAR	
	3,700 / 255	4,500 / 310
AZ 3604 – Round knob, multi-turn	●	
AZ 3624 – Lever valve, 1/4 turn – LOTO, PL 225 optional – Lever position indicates valve status	●	
AZ 3627 – T handle valve, 1/4 turn – Handle position indicates valve status		●

Pneumatic valves, normally closed (NC)

	PSIG / BAR	
	3,700 / 255	4,500 / 310
AZ 3004 – Switch option for remote monitoring	●	
AZ 3007 – Switch option for remote monitoring		●

All specifications subject to change without notice.

HIGH PRESSURE – HIGH PURITY – HIGH VALUE

Engineering Data — Manual valves

Operating pressure	AZ 3604, 3624 AZ 3627	Vacuum to 3,700 psig (255 bar) Vacuum to 4,500 psig (310 bar)
Flow coefficient (C _v)	AZ 3604, 3624, 3627	0.29 (X _T = 0.6)

Engineering Data — Pneumatic valves

Operating pressure	AZ 3004 AZ 3007	Vacuum to 3,700 psig (255 bar) Vacuum to 4,500 psig (310 bar)
Flow coefficient (C _v)	AZ 3004, 3007	0.23 (X _T = 0.5)
Status	AZ 3004, 3007	Normally closed (NC)
Actuation pressure	AZ 3004, 3007	70 to 110 psig (5 to 8 bar)
Actuation port	AZ 3004, 3007	1/8 NPT, top port

Engineering Data — Other parameters all valves

Inlet and outlet connectors	1/4 inch face seal or tube weld	
Internal volume	0.06 in ³ (1.07 cm ³)	
Operating temperature	AZ 3007, 3627 AZ 3004, 3604, 3624	-40° to +140° F (-40° to 60° C) -40° to +120° F (-40° to 49° C)
Surface finish	10 μin. Ra avg. (0.4/0.25 μm)	
Proof pressure	150% of operating pressures	
Burst pressure	300% of operating pressures	
Inboard leakage	2 x 10 ⁻¹⁰ sccs	
Outboard leakage	2 x 10 ⁻⁹ sccs He	
Leakage across seat	1 x 10 ⁻⁹ sccs He	

Engineering Data — Wetted materials all valves

	S	
Body	SS 316L	
Finish	Electropolished and passivated	
Diaphragm	Ni-Co Alloy / UNS R30003	
Seat	AZ 3004, 3604, 3624 AZ 3007, 3627	PCTFE (Polyimide or PEEK optional) Polyimide or PEEK
Seat insert	AZ 3004, 3604, 3624 OX	Seat: PCTFE Insert: Ni-Cr-Mo alloy / UNS N06022

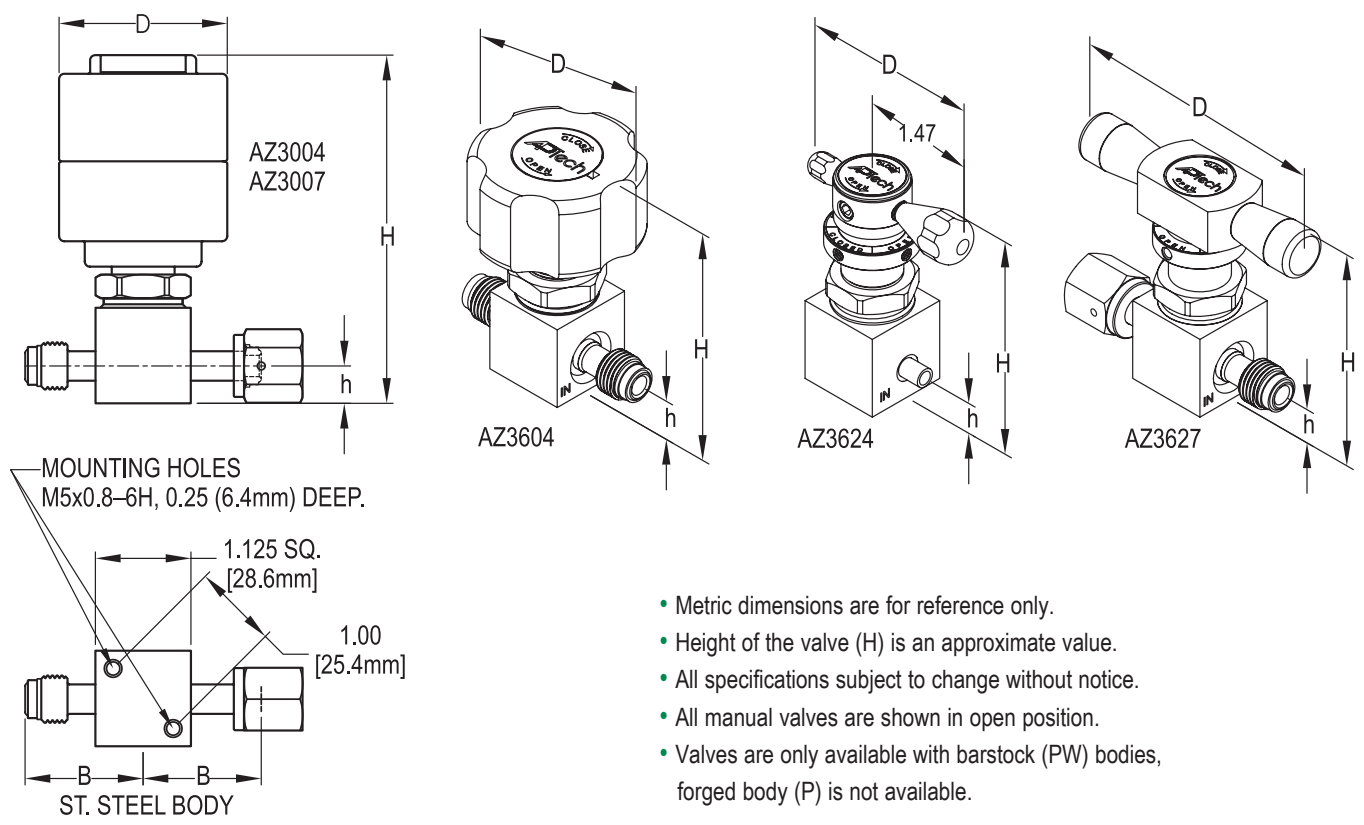
Seat Matrix

	PCTFE	Polyimide	PEEK
AZ 3004, 3604, 3624	●	○	○
AZ 3004, 3604, 3624 OX	●	NA	NA
AZ 3007, 3627	NA	○ ¹	○ ¹

¹ Must select either VS or PK seat. ● Standard ○ Optional NA Not available

All specifications subject to change without notice.

NOTE: Cycle life of AZ 3004, 3604, 3624, 3007 and 3627 is 5,000 cycles at full rated pressure.

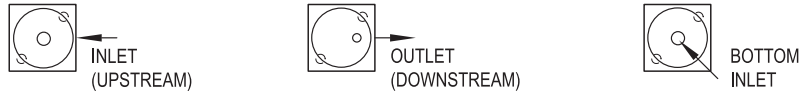


- Metric dimensions are for reference only.
- Height of the valve (H) is an approximate value.
- All specifications subject to change without notice.
- All manual valves are shown in open position.
- Valves are only available with barstock (PW) bodies, forged body (P) is not available.

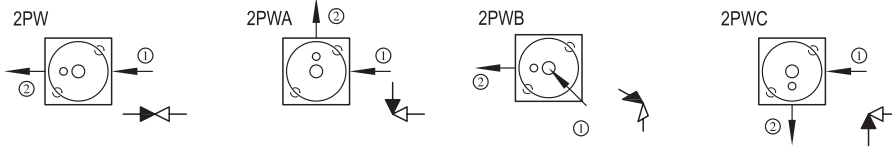
VALVE	D		H	
	inch	mm	inch	mm
AZ3004	ø1.98	50.3	4.10	104
AZ3007	ø1.98	50.3	4.89	124
AZ3604	ø2.12	53.8	3.00	76
AZ3624	2.47	62.7	2.94	75
AZ3627	3.48	88.4	2.95	75

STAINLESS STEEL BODY				
CONNECTION	B		h	
	inch	mm	inch	mm
FV4, MV4	1.390 ±.010	35.3	0.44	11.2
TW4	1.060 ±.010	26.9	0.44	11.2

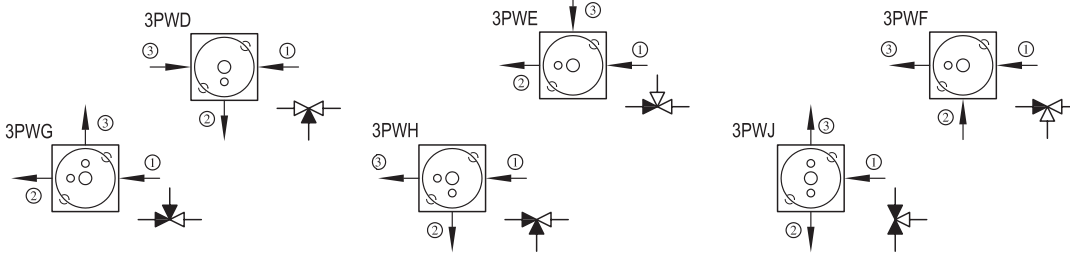
ULTRACLEAN TECHNOLOGY BACKED BY SERVICE AND SUPPORT



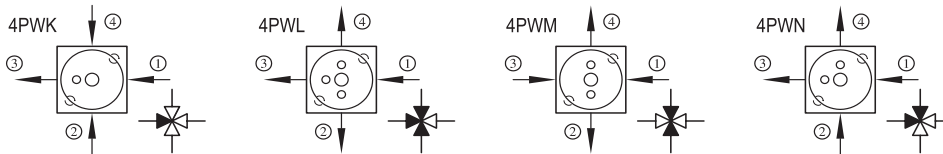
Top View (Mounting holes on bottom)



2 PORTS



3 PORTS



4 PORTS

PORTING CONFIGURATIONS

- Valves are illustrated top view looking down through the valve. Mounting holes on the valve bottom are shown for reference.
- INLET (Upstream) is defined as a port connected to the region below the valve seat. It is illustrated with an arrow pointing towards the valve body or an “empty” triangle on the schematic. OUTLET (Downstream) is defined as a port connected to the region above the seat and below the diaphragm. It is illustrated with an arrow pointing away from the valve body or a “filled” triangle on the schematic.
- The traditional flow direction is INLET to OUTLET, but AP Tech valves may be employed in either flow direction.
- End connections are specified in numerical order per the diagram’s numbered arrows.

CAUTION: Product selection is the sole responsibility of the user, regardless of any recommendations or suggestions made by the factory. The user shall make selections based upon their own analysis and testing with regard to function, material compatibility and product ratings. Proper installation, operation and maintenance are also required to assure safe, trouble free performance.

ORDERING INFORMATION

Sample Order Number	AZ 3004S 2PW MV4 MV4			
AZ 3004 Series	AZ 3004, 3007 AZ 3604 AZ 3624 AZ 3627			
s Material	S = Stainless steel (SS)			
2PW Ports	2PW* = 2 ports welded 3PW* = 3 ports welded 4PW* = 4 ports welded *Barstock body (PW) only, forged body (P) not available			
Porting Designation Option	X = Letter code for available porting option Refer to porting options above.			
MV4 MV4 Connections Inlet / Outlet or	① ② ③ ④	FV4 = 1/4 inch face seal female MV4 = 1/4 inch face seal male TW4 = 1/4 inch tube stub weld**		
Options	1.75 = 1.75" face to face TW4 VS = Polyimide seat P = Panel mount, manual valves* PK = PEEK seat IS = Indicating switch* (AZ 3004 or 3007 only) OX = Seat insert (AZ 3004, 3604, 3624 only)**			
	SEAT MATRIX	PCTFE	VS	PEEK
	AZ 3004, 3604, 3624	●	○	○
	AZ 3004, 3604, 3624 OX	●	NA	NA
	AZ 3007, 3627	NA	○ ¹	○ ¹
	¹ Must select either VS or PK seat.			
	● Standard			
	○ Option selectable			
	NA Not available			
	*Refer to manual for installation information.			
	**OX option not available with tube stub (TW4) connection due to production testing requirement.			

AP Tech has product options and variations which are not documented in data sheets. If you have a model number that is not defined by the ordering information, please consult the factory or your local representative.