

**High Pressure/Miniature**  
maximum 6000 PSIG in/ranges up to 1800 PSIG out  
pressure reducing/compact/durable

## BB-1 Series

### Specifications

#### ❑ Operating Parameters

pressure rating per criteria of ANSI/ASME B31.3

maximum rated inlet pressure . . . . . 6000 PSIG

outlet pressure ranges:

low pressure . . . . . 0-220 PSIG

high pressure . . . . . 0-1800 PSIG

design proof pressure . . . . . 150% maximum  
rated pressure

leakage . . . . . bubble-tight

operating temperature<sup>1</sup> . . . . . -15° F to +165° F  
(-25° C to +74° C)

flow capacity . . . . .  $C_v = .06$

<sup>1</sup>. Extended temperatures from -40°F to +400°F available,  
please consult Tescom.

#### ❑ Media Contact Materials

body . . . . . Aluminum 6061 (Nickel-plated)<sup>2</sup>.

seat . . . . . CTFE, PEEK or Vespel®

o-rings . . . . . see Part Number Selector

remaining parts . . . . . 300 Series SST or Aluminum

<sup>2</sup>. 316 Stainless Steel construction available, please consult  
Tescom.

**For other materials and modifications, please consult Tescom.**

❑ Connections . . . . . 1/4" NPT or SAE

❑ Cleaning . . . . . CGA 4.1 and ASTM G93

❑ Weight (approximate) . . . . . .5 lbs. (.23kg)

**Pressure Conversion** 14.5 PSIG = 1 bar 145 PSIG = 1 MPa

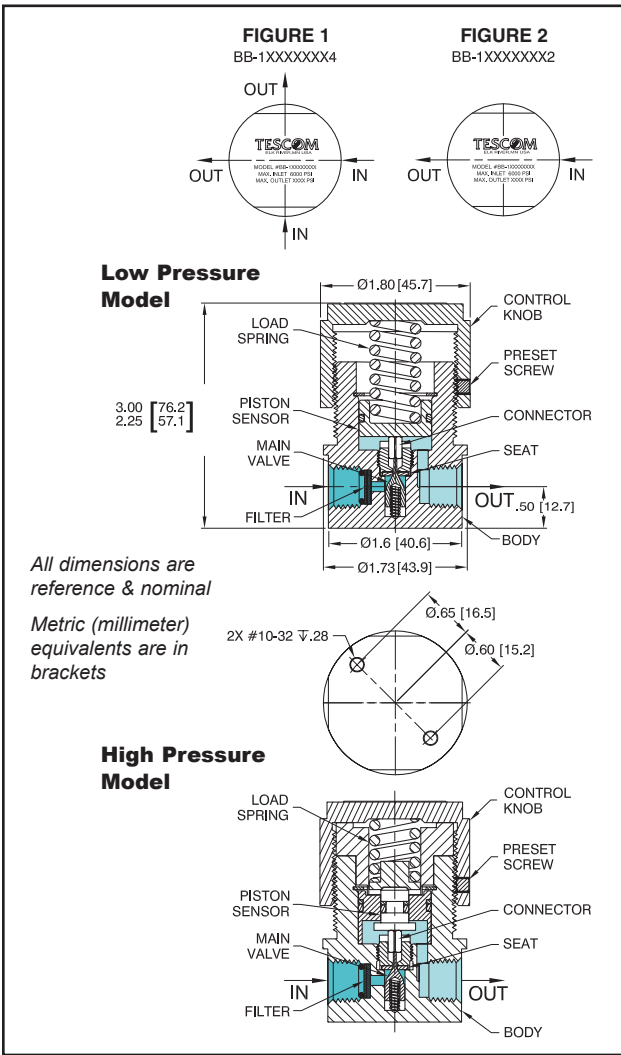


### Advantages

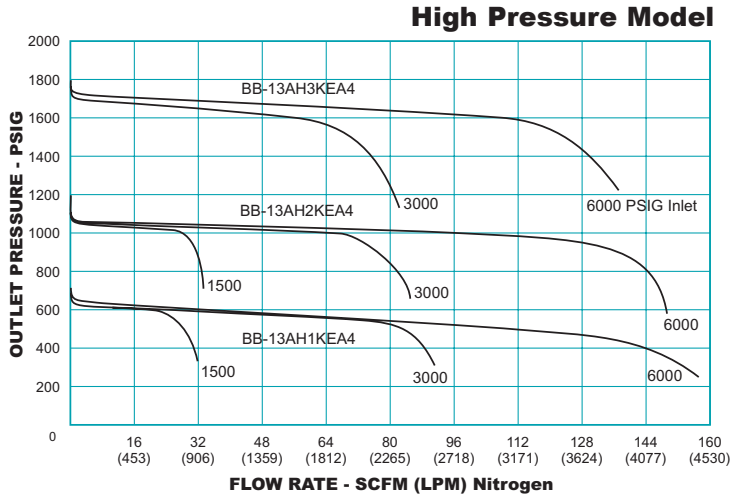
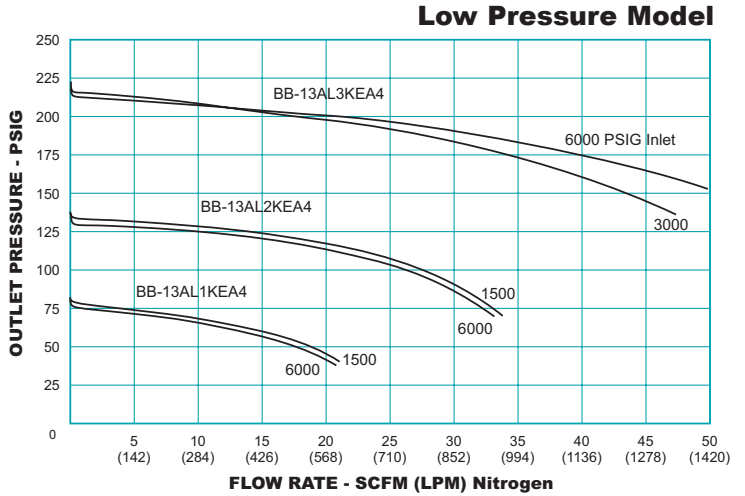
- Durable piston sensed design
- Outlet pressure ranges are field adjustable
- Two and four 1/4" NPT or SAE ports standard
- Unbalanced main valve
- Minimal soft goods
- Non-venting
- Back pressure, two-stage and cartridge versions available
- 316 SST construction available

Vespel®, Viton® and Kalrez® are registered trademarks of DuPont.

# BB-1 Series High Pressure/Miniature



## Flow Charts



## Part Number Selector

example part number:

**BB - 1 3 A L3 K E A4**

BASIC SERIES	FUNCTION	BODY MATERIAL	LOAD TYPE	OUTLET PRESSURE		SEAT	O-RING SEAL	PORTING CONFIG. NUMBER OF PORTS
				ADJUSTABLE	PRESET			
BB	1 - Pressure Reducing	3 - Aluminum 6061	A - Adjustable	L1 - 0-80 PSIG	0-80 PSIG	K - CTFE	B - 90 Duro Buna E - E.P. K - Kalrez® N - Buna-N U - Polyurethane V - Viton®	A4 - 1/4" NPT 4 (Figure 1) B4 - 1/4" SAE 4 (Figure 1) A2 - 1/4" NPT 2 (Figure 2) B2 - 1/4" SAE 2 (Figure 2)
				P - Preset	L2 - 0-140 PSIG			
			L3 - 0-220 PSIG		140-220 PSIG			
			H1 - 0-700 PSIG	220-700 PSIG				
H2 - 0-1200 PSIG	700-1200 PSIG							
H3 - 0-1800 PSIG	1200-1800 PSIG							

Repair Kits, Accessories & Modifications may be available for this product. Please contact Tescom for more information.

**WARNING!** Do not attempt to select, install, use or maintain this product until you have read and fully understood the Tescom Safety, Installation & Operation Precautions.

The contents of this publication are presented for informational purposes only, and while every effort has been made to ensure their accuracy, they are not to be construed as warranties or guarantees, expressed or implied, regarding the products or services described herein or their use or applicability. We reserve the right to modify or improve the designs or specifications of such product at any time without notice.

For information contact:

**TESCOM** Industrial Controls  
Tel: 800-447-1250 • 763-241-3238  
Fax: 763-241-3224 • email: ic@tescom.com  
12616 Industrial Boulevard • Elk River, MN 55330 USA

©Tescom Corporation, 2007; All Rights Reserved.  
Tescom is a business unit of the Regulator Division.

Trademarks are property of divisions of Emerson Process Management.

Form No. 1761 Rev. 1/07 Printed 1/07 5M Printed in the U.S.A.

**EMERSON**  
Process Management