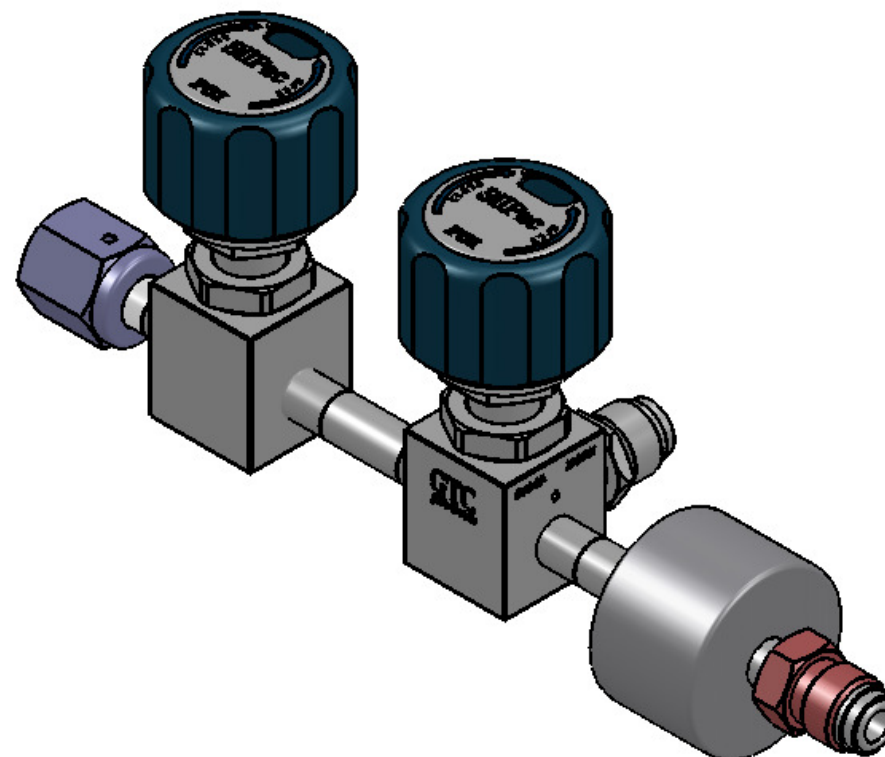
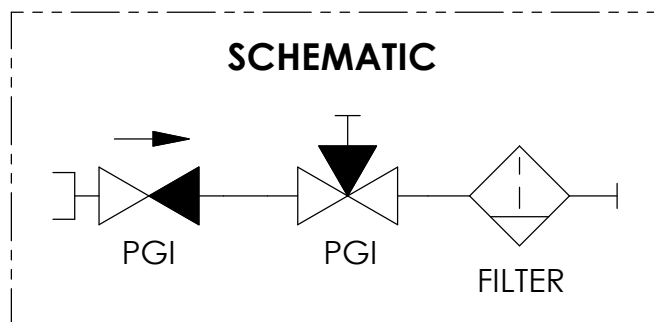


DIRECTION OF FLOW



SCHEMATIC



NEXT ASSY	APPROVALS	DATE
	DRAWN EJD	07/17/12
	CHECKED ---	---
	ENGINEER ---	---
	APPROVED	

INTERPRET DIMENSIONS AND TOLERANCES PER ASME Y14.5M 1994 STANDARDS.
 UNLESS OTHERWISE SPECIFIED ALL DIMENSIONS ARE IN INCHES.
 TOLERANCES
 .XX ±.02
 .XXX ±.010
 ANGLES ±.5°
 SURFACES
 63 ✓
 THIRD ANGLE PROJECTION

THIS DOCUMENT CONTAINS CONFIDENTIAL INFORMATION OF SilPac. THIS DOCUMENT AND THE INFORMATION CONTAINED IN IT CANNOT BE COPIED OR DISCLOSED IN WHOLE OR IN PART WITHOUT THE EXPRESS WRITTEN CONSENT OF SilPac, AND MUST BE RETURNED TO SilPac UPON REQUEST.
 MATERIAL
 FINISH SEE NOTES

SilPac[®]
 SANTA CLARA, CALIFORNIA

**ASSY, PURGE GAS STICK W/
 TEST GAUGE CONNECTION**

SIZE B	DWG NO. SP-GSA-118-MKT	REV B
SCALE 1:1	DO NOT SCALE DRAWING	Sheet 1 of 1